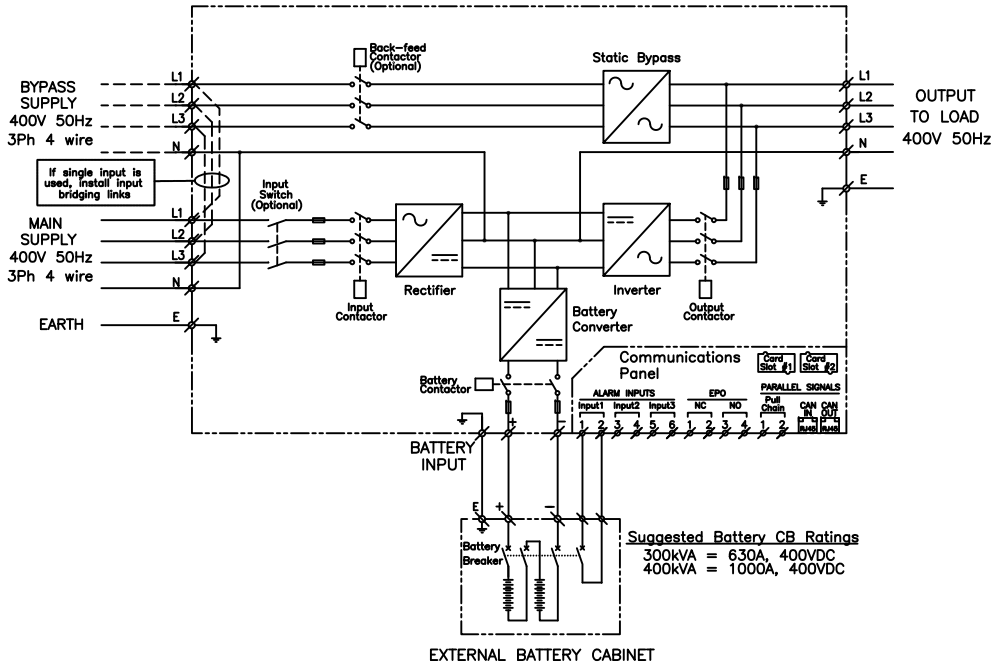


CONNECTION AND FUNCTIONAL DIAGRAM

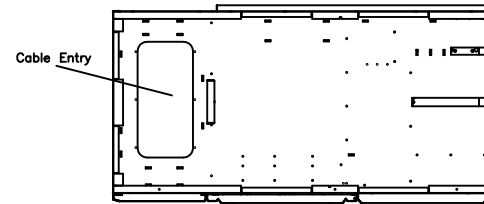
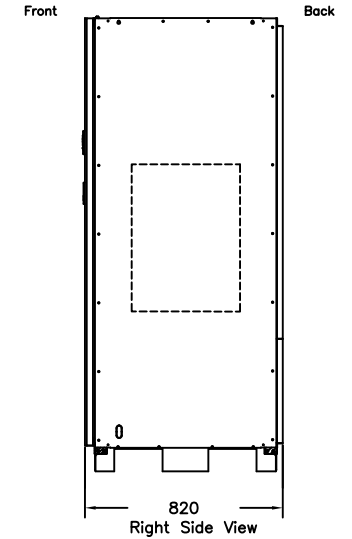
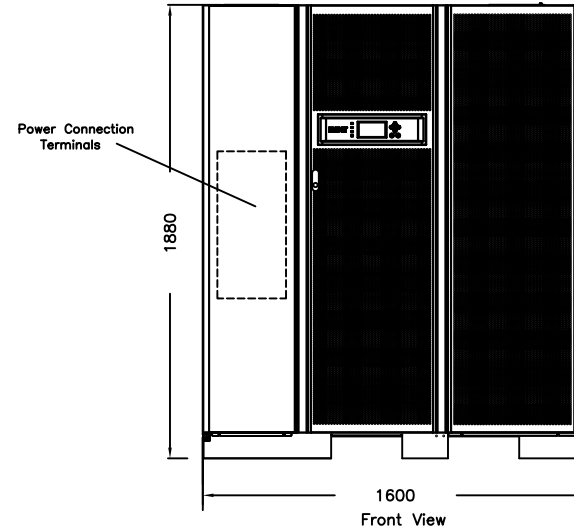
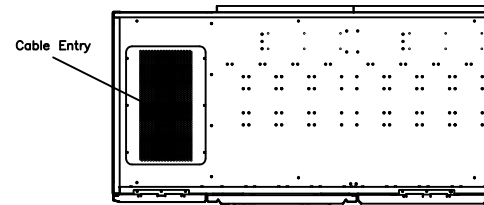


- Notes:
1. The system must be installed on a level floor and in a clean environment suitable for electronic equipment.
 2. Ambient temperature range: 0–40C; Recommended operating range: 20–25C; Maximum relative humidity: 95% non-condensing.
 3. Minimum Clearances for ventilation & service around the UPS cabinet are:
 Overhead of UPS: 500mm clearance required for ventilation
 Rear of UPS: Observe minimum clearance required for air flow (refer to table)
 Front : 900mm clearance in front of the UPS cabinet is required for User & Service Access
 Side : No clearance required
 4. Bottom or top cable entry through removable gland plates
 5. All wiring and cabling is to be in accordance with National and Local Electrical Standards
 6. No provision for batteries within UPS cabinet

UPS Installation Specifications

UPS Rating	Rated AC Input Voltage	Rated AC Output Voltage	Rectifier AC Input Current		Bypass Input current		Battery Current (40 batteries, 100% load at end of discharge)	Inverter AC Output Current	Input & Output cable max. size	Battery cable max. size	Earth cable max. size	Net Weight	Floor loading	Air Flow Requirement	
			Nominal	Maximum	Nominal	Maximum									
kVA	kW	VOLT	VOLT	AMP	AMP	AMP	AMP	AMP	mm ²	mm ²	mm ²	kg	kg/m ²	Litres/s	
300	270	400/230	400/230	460	490	433	498	717	433	2x240	2x240	2x120	860	655	1200
400	360	-15/+20%	400/230	613	654	577	664	956	577	2x240	2x240	2x120	970	739	1600

Top View



Bottom View

Ambient	300kVA	400kVA
25°C	≥250mm	≥250mm
30°C	≥300mm	≥300mm
35°C	≥400mm	≥400mm
40°C	≥500mm	≥500mm

*Drawings and UPS Specifications are subject to change.



Powering Business Worldwide

UNLESS OTHERWISE SPECIFIED ALL DIMENSIONS IN MILLIMETRES.

DRAWN	SCALE	FILENAME:	A 4
01.07.13	NTS		
TITLE			REV
SITE PLANNING GUIDE 93E 300-400kVA 1600W Model			
DRAWING NUMBER			3
SITEPLAN_93E_300-400kVA_1600W			