

RM3-300 Series Rectifier Magazine



Features

- 48V or 24V
- 19-inch cabinet mounting
- Compact 1U height, 150A output
- Suitable for Enterprise and Access 3G power rectifiers including Energy Saver Rectifier
- Independent AC input to each rectifier
- Compliance with international standards



The Eaton RM3-300 rectifier magazine is a versatile and compact 1U high, 19-inch modular power shelf. It can accommodate both the Enterprise and Access series of Eaton 3G and Energy Saver (ES) rectifiers and can be configured for up to 3 rectifiers or, 2 rectifiers and a system controller.

The RM3-300 series has an output capacity of up to 150A (actual output is dependent on the rectifier model fitted). Both the top-entry AC cords and air exhaust airflow allow the RM3 to mount in limited depth of space applications.

The DC output is via a field wiring termination box to provide an easily accessed connection (take-off) point for flexible cables.

Independent AC supply to each rectifier position is via plug & cord sets where country and voltage specific sets are available upon request.

The RM3-300 series is suitable for both 600mm and 300mm deep cabinets and includes mounting brackets that can be moved along the chassis to provide a wide range of mounting position options.

Technical Specifications

Brief Technical Specifications

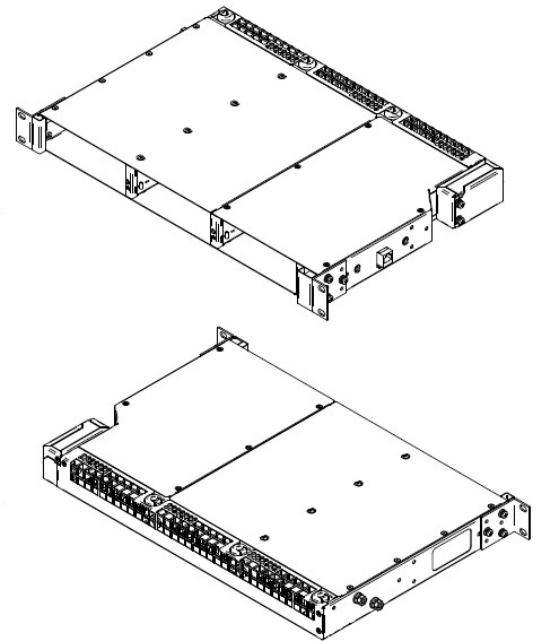
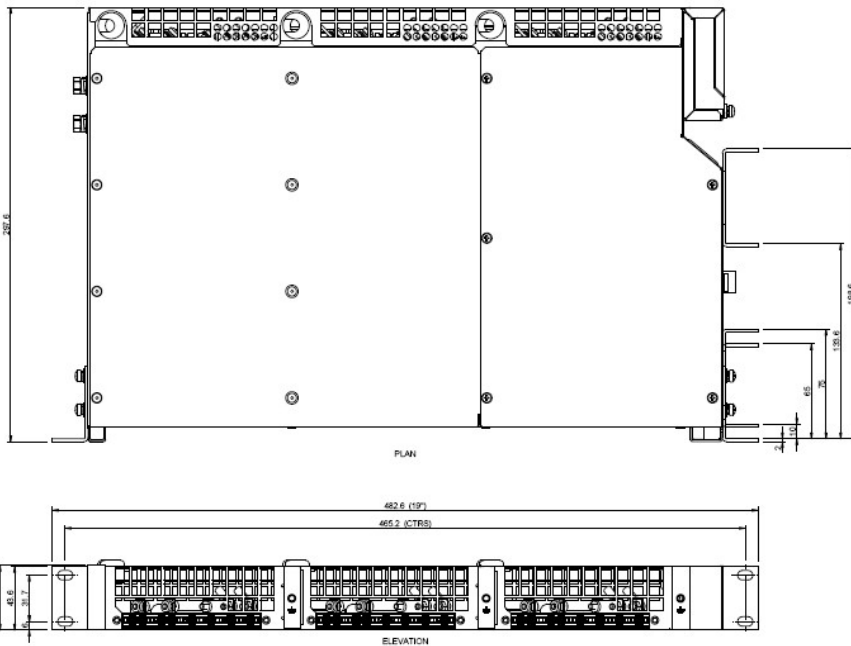
AC Supply	1Ø or 2Ø via individual cord sets
DC Output	24V: up to 150A 48V: up to 125A (dependent on rectifiers fitted) Interconnecting busbars with flexible cable take-off (field wire-able).
Dimensions H,W,D	Standard: 1U*, 19", 298mm [11.7"] *Additional clear space is required for exhaust air and top AC cable entry at the rear.
Weight	3.9kg [8.6lb] including AC cable sets.
Rectifier Configurations	3 x EPR48-3G / APR48-3G / APR24-3G / APR48-ES 2 x EPR48-3G / APR48-3G / APR24-3G / APR48-ES plus system controller
Options	Rectifier cover for unused rectifier positions (RM3B-A01). AC cord sets - country/voltage specific. 23" mounting brackets.
Versions	RM3-300 series (3 rectifiers, no system controller) RM3-310 series (2 rectifier, SC100 system controller) RM3-320 series (2 rectifiers, SC200 system controller)

Certifications

All products comply with international standards. Contact your local Eaton DC representative for details on the specific product versions available with these safety and EMC approvals:

Europe CE

In the interests of continual product improvement all specifications are subject to change without notice.



1300 662 435

poweronaustralia.com.au

Power On Australia Pty Ltd - ABN 48 110 752 442

Unit 20, 256-258 Musgrave Road, Coopers Plains Qld 4108 (Head Office)

Po Box 5322, Daisy Hill QLD 4127